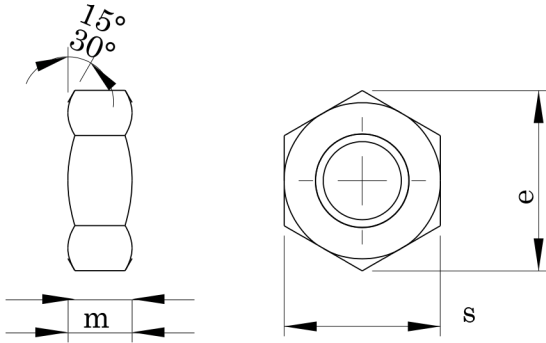


**DIN 439-2****ALTİKÖŞE KONTRA SOMUN****HEXAGON THIN NUTS****SECHSKANTMUTTER, NIEDRIGE FORM****Technical Informations / Teknik Bilgiler****Thread size / Anma çapı (d)**

		<b>M10</b>	<b>M12</b>	<b>M16</b>	<b>M18</b>	
<b>Pitch / Diş adımı (d x p)</b>	<b>P<sub>1</sub></b>	<b>M10 X 1,00</b>	<b>M12 X 1,50</b>	<b>M16 X 1,50</b>	<b>M18 X 1,50</b>	
	<b>P<sub>2</sub></b>	<b>M10 X 1,25</b>	<b>M12 X 1,25</b>		<b>M18 X 2,00</b>	
	<b>P<sub>3</sub></b>	1,50	1,75	2,00	2,50	
<b>Diagonal / Köşegen</b>	<b>d<sub>a</sub></b>	max.	10,80	13,00	17,30	19,50
		min.	10,00	12,00	16,00	18,00
<b>Height / Yükseklik</b>	<b>d<sub>w</sub></b>	min.	15,60	17,40	22,50	24,90
	<b>e</b>	min.	18,90	21,10	26,75	29,56
<b>Head width / Anahtar ağızı</b>	<b>m</b>	nom.=max.	5,00	6,00	8,00	9,00
		min.	4,70	5,70	7,42	8,42
	<b>m'</b>	min.	3,76	4,56	5,94	6,74
<b>Weight / Ağırlık</b>	<b>s</b>	nom.=max.	17,00	19,00	24,00	27,00
		min.	16,73	18,67	23,67	26,16
	<b>ar/b</b>		7,20	10,40	20,50	29,60

Values are given in millimeters. / Değerler milimetre olarak verilmiştir.